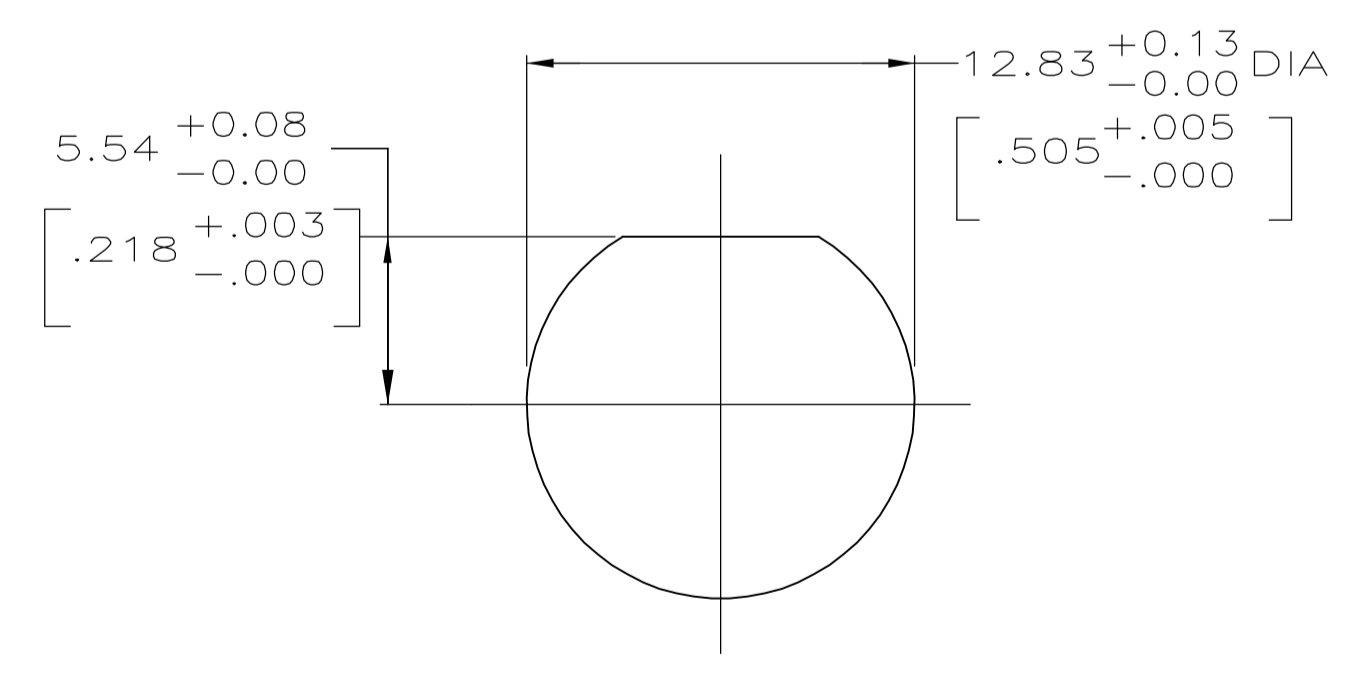
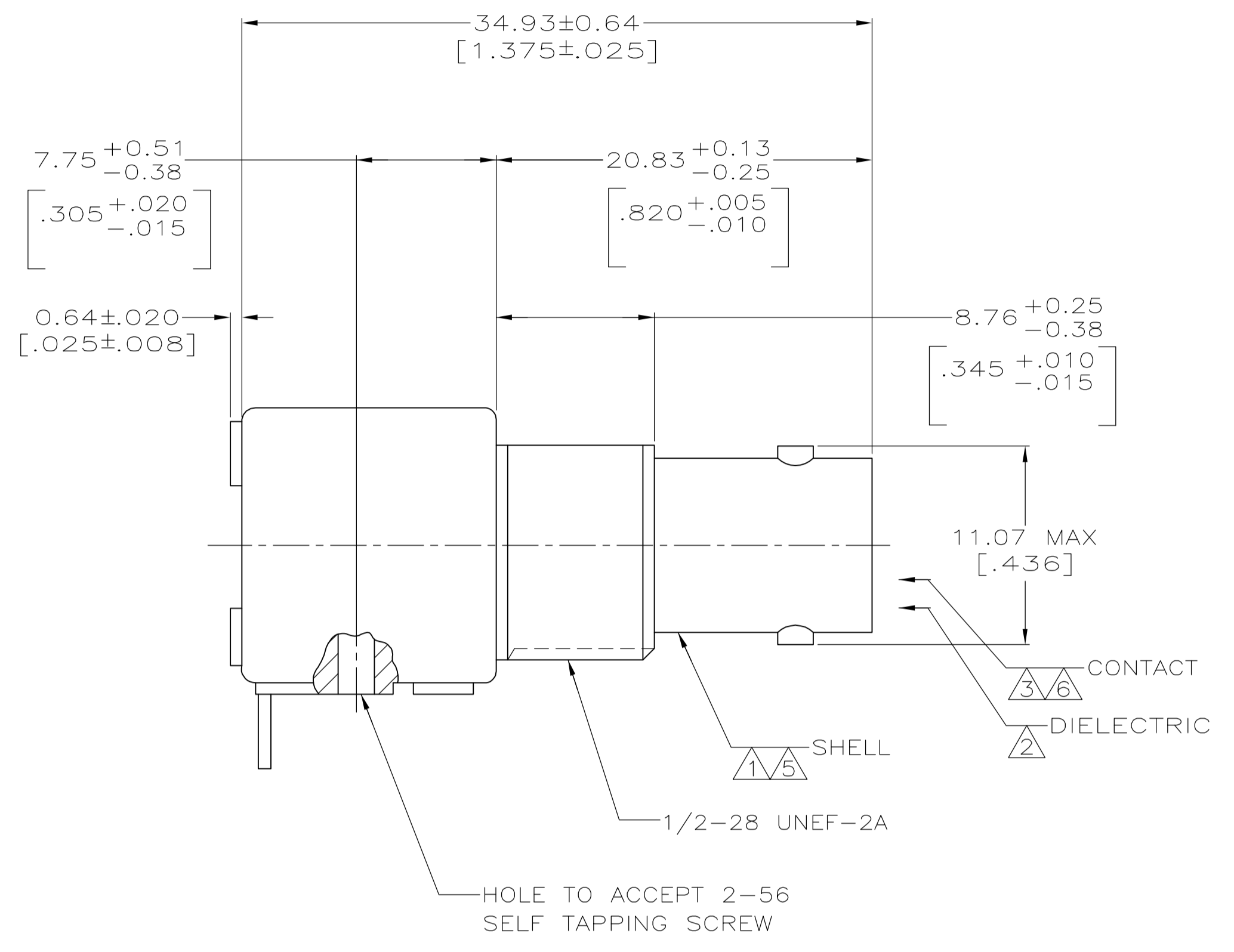
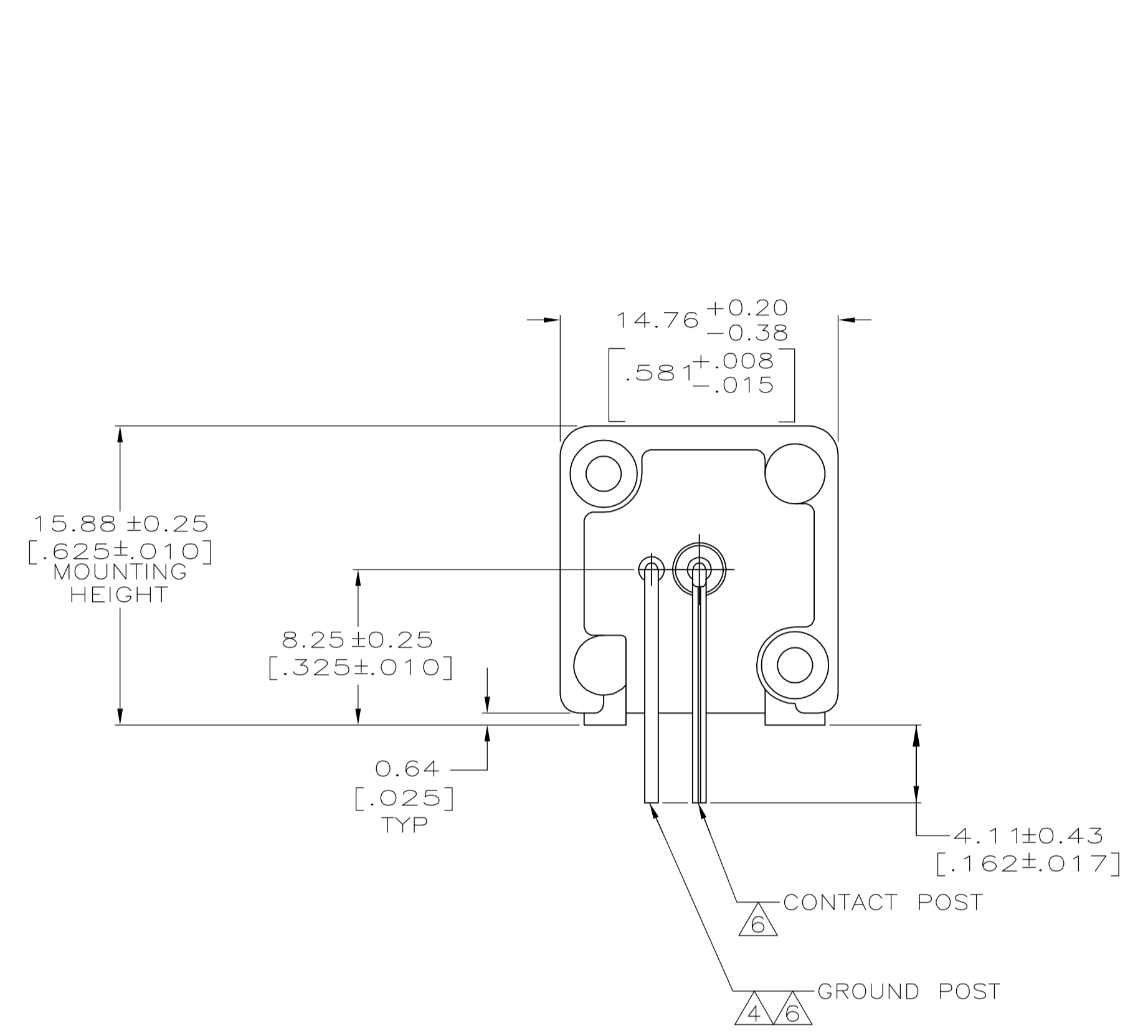
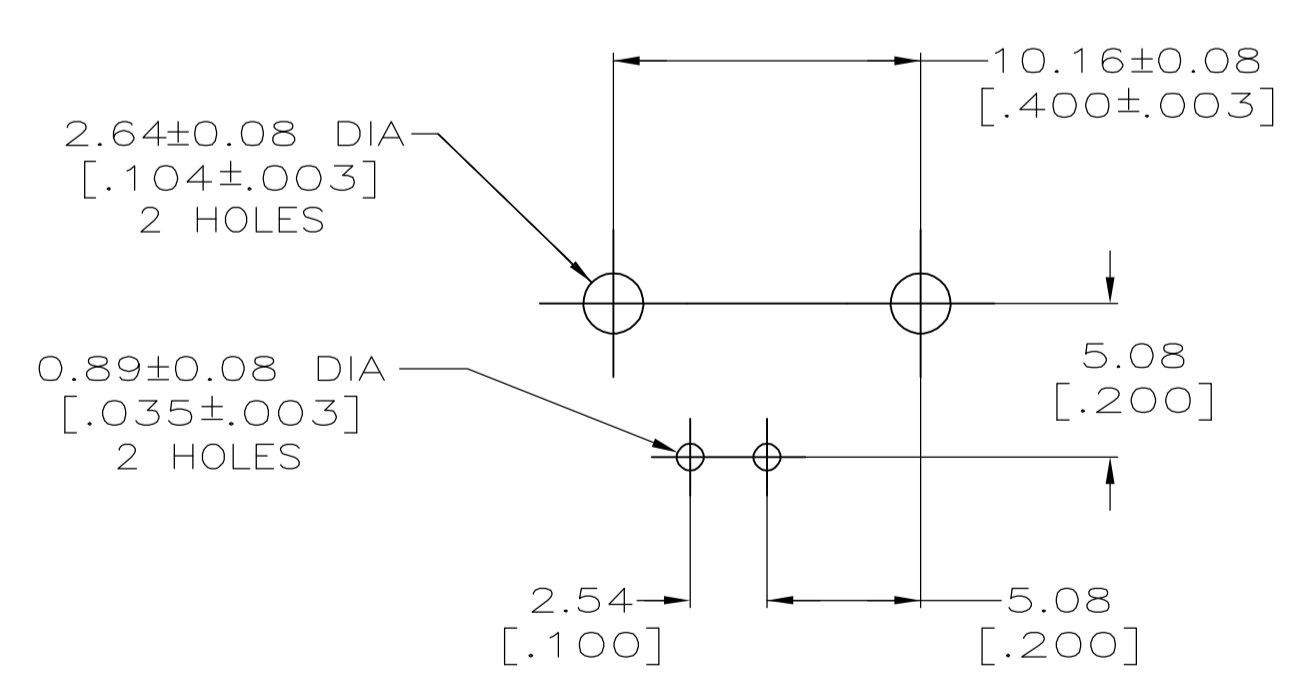


LOC		DIST		REVISIONS			
P	LTR	DESCRIPTION	DATE	DMN	APVD		
D		PER EC 0514-0184-04	06JAN05	BM	JL		

- ① ZINC PER QQ-Z-363.
- ② POLYMETHYLPENTENE PER ASTM-D-1238.
- ③ PHOSPHOR BRONZE PER QQ-B-750.
- ④ BRASS PER ASTM-B-453.
- ⑤ NICKEL PLATE PER QQ-N-290, 3.81 μm [.000150] MINIMUM THICK.
- ⑥ TIN PLATE PER ASTM-B-545, 3.81 μm [.000150] MINIMUM THICK.
- 7. SEE INSTRUCTION SHEET 2769.



RECOMMENDED PANEL CUTOUT



PCB CONFIGURATION

227433-1
 PART NUMBER

THIS DRAWING IS A CONTROLLED DOCUMENT.		DIN J. LIPPERT 6-26-92		Tyco Electronics Corporation Harrisburg, PA 17105-3608														
DIMENSIONS: INCHES		CHK A. GABANY 7-2-92		APVD A. GABANY 7-2-92	NAME													
TOLERANCES UNLESS OTHERWISE SPECIFIED:		<table border="1"> <tr><td>0 PLC</td><td>± -</td></tr> <tr><td>1 PLC</td><td>± -</td></tr> <tr><td>2 PLC</td><td>± 0.05 [.002]</td></tr> <tr><td>3 PLC</td><td>± -</td></tr> <tr><td>4 PLC</td><td>± -</td></tr> <tr><td>ANGLES</td><td>± -</td></tr> </table>		0 PLC	± -	1 PLC	± -	2 PLC	± 0.05 [.002]	3 PLC	± -	4 PLC	± -	ANGLES	± -	PRODUCT SPEC 108-12078 APPLICATION SPEC		JACK, RIGHT ANGLE, PCB 50 OHM, SERIES BNC
0 PLC	± -																	
1 PLC	± -																	
2 PLC	± 0.05 [.002]																	
3 PLC	± -																	
4 PLC	± -																	
ANGLES	± -																	
MATERIAL SEE NOTES 1-4		FINISH SEE NOTES 5-7		SIZE: A1 CAGE CODE: 00779 DRAWING NO: 227433	RESTRICTED TO													
CUSTOMER DRAWING				SCALE: 4:1	SHEET 1 OF 1 REV D													